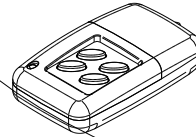
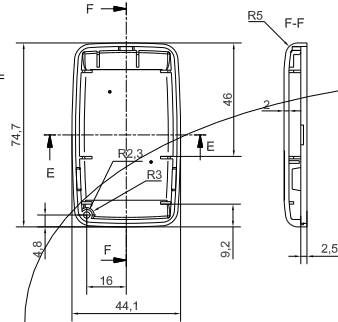
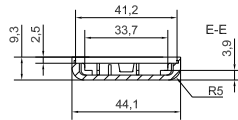
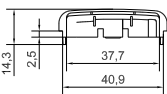
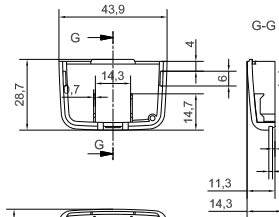
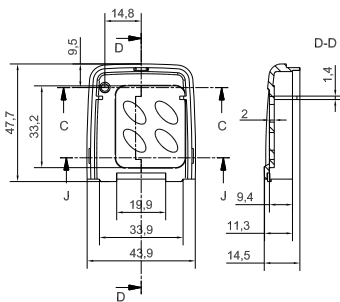
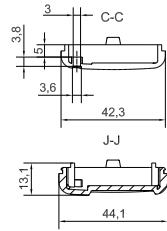
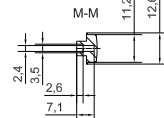
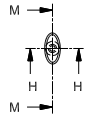
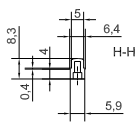
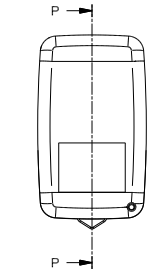
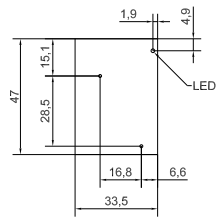


PCB MAX SIZE



	Designation	11124	
	Assembly 11124 Subject to technical modification without prior notice. Typographical and other errors do not justify any claim for damages. All dimensions should be verified using an actual modified part.	Rev. 1104	Scale
	This document contains proprietary information of TEKO S.p.A. and is intended subject to the conditions that the information be retained in confidence not be reproduced or copied and not be used or incorporated in any product.	Date	Printed drawing
	22/11/2005	1:1	A2