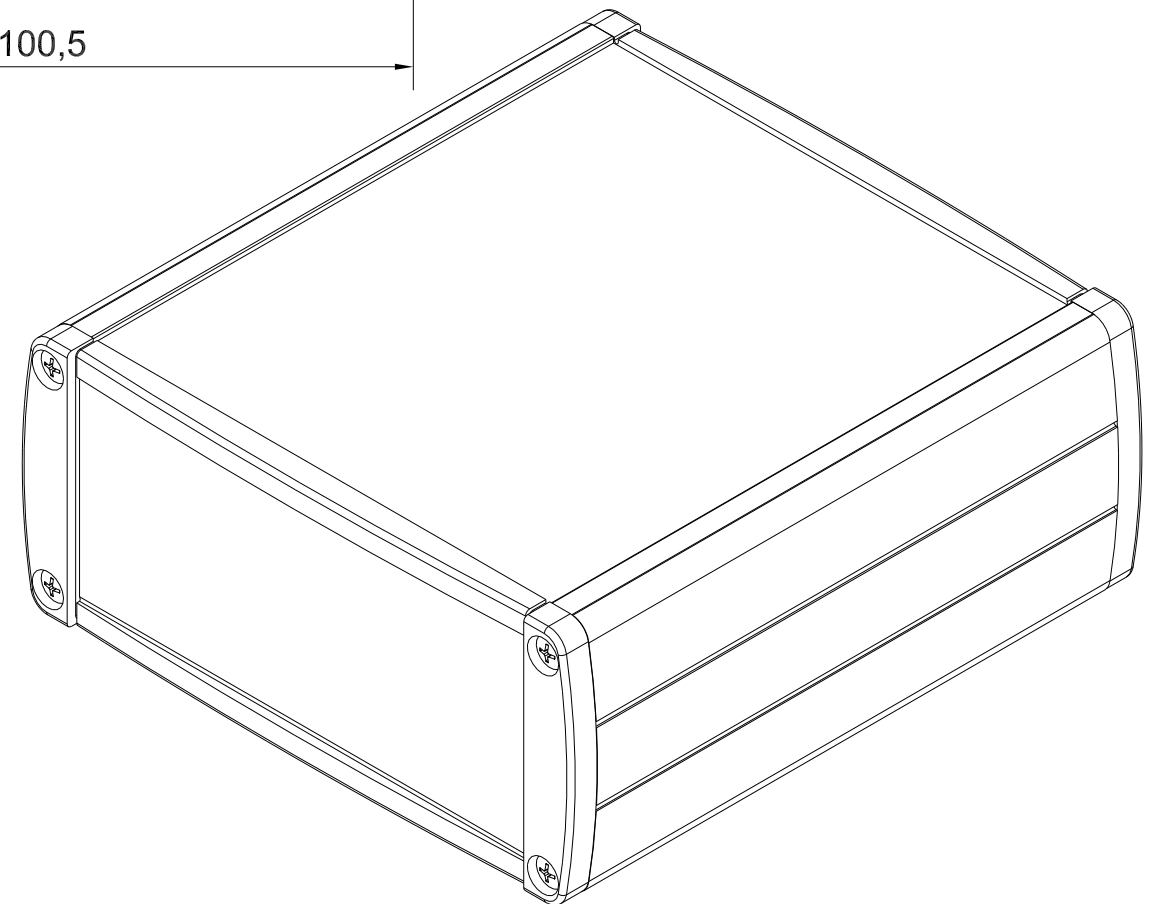
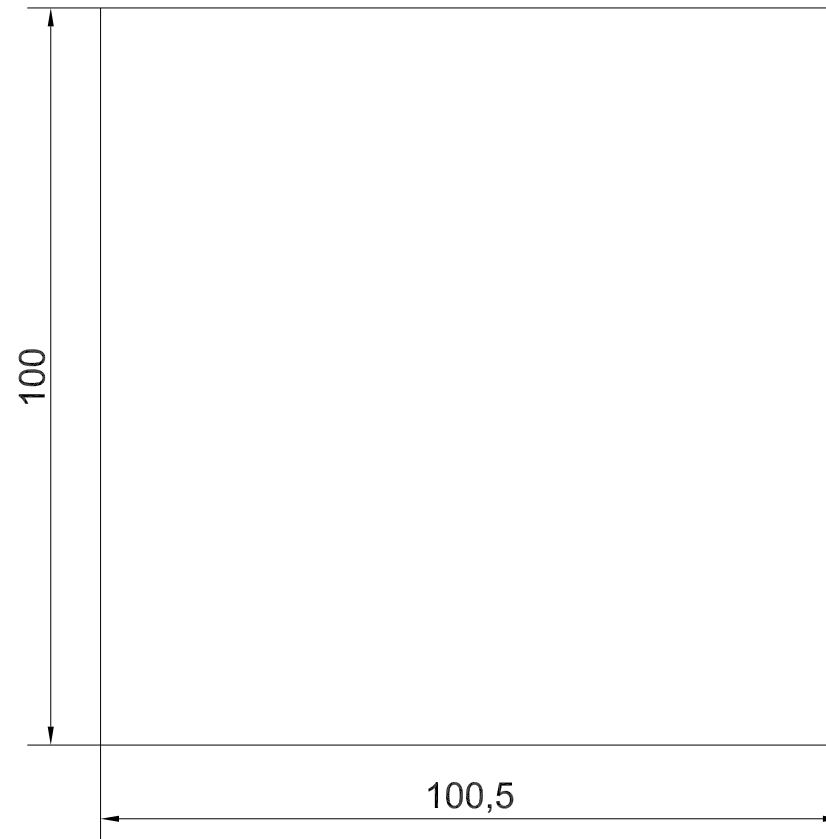

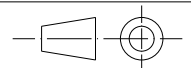


MAXIMUM PCB SIZE



	Denomination	Part. Number		
	<p style="text-align: center;"><b>Assembly TEKAL-31</b></p> <p style="text-align: center;">Subject to technical modification without prior notice. Tipographical and other errors do not justify any claim for damages. All dimensions should be verified using an actual moulded part.</p>	<b>TEKAL-31</b>		
	<p style="text-align: center;">This document contains proprietary information of <b>TEKO S.p.a.</b> and is tendered subject to the conditions that the information be retained in confidence not be reproduced or copied and not be used or incorporated in any product.</p>		Rev. Index Date <b>27/04/2005</b>	Scale <b>1:1</b> Format design <b>A3</b>