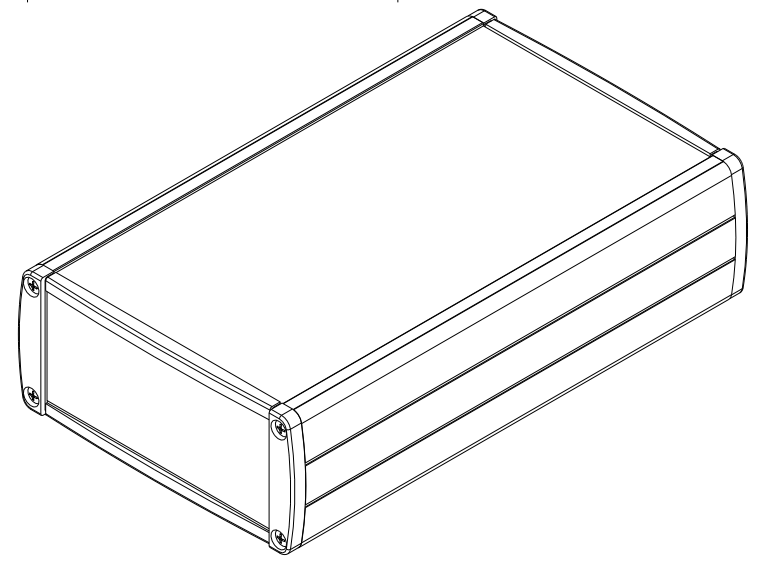
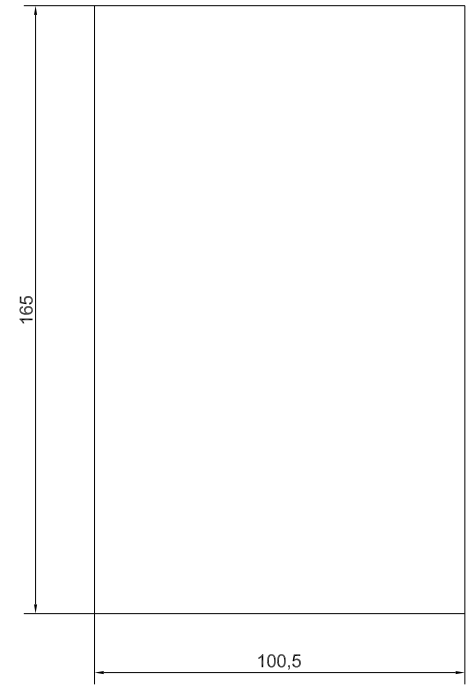


MAXIMUM PCB SIZE



	Denomination	Part. Number	
	<b>Assembly TEKAL-33</b> Subject to technical modification without prior notice. Tipographical and other errors do not justify any claim for damages. All dimensions should be verified using an actual moulded part.	<b>TEKAL-33</b>	
	Rev. Index	Date	Scale
		27/04/2005	1:1
This document contains proprietary information of <b>TEKO S.p.a.</b> and is tendered subject to the conditions that the information be retained in confidence not be reproduced or copied and not be used or incorporated in any product.			Format design <b>A2</b>